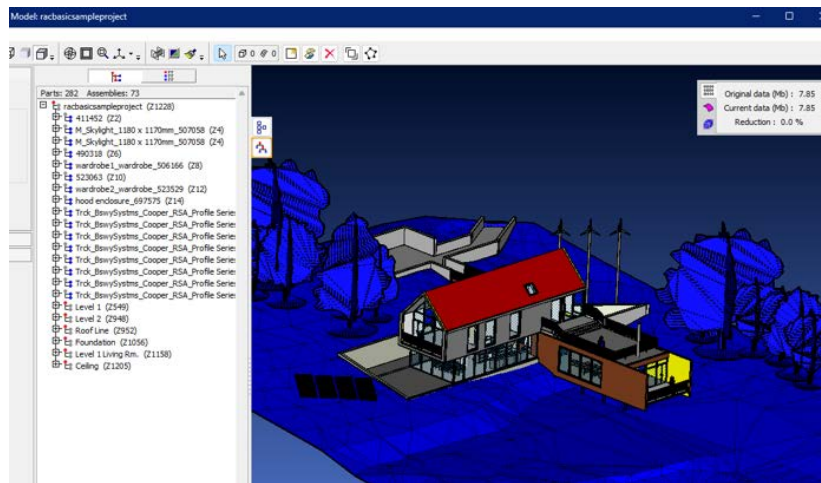


## ITI NEWS – FOR IMMEDIATE RELEASE

### International TechneGroup Inc. Unveils CADfix PPS 5.1 with Enhanced Interoperability and Simplification Tools

Milford OH, March 17, 2025 - [International TechneGroup, Inc. \(ITI, a Wipro Company\)](https://www.iti-global.com), is pleased to announce the release of [CADfix PPS 5.1](#), the latest version of its industry-leading CAD model simplification solution. CADfix PPS 5.1 introduces new interoperability capabilities with expanded import/export support, and enhanced auto-simplification tools, further streamlining the integration of complex CAD models into plant design and digital twin workflows.



#### Expanded Import/Export Capabilities

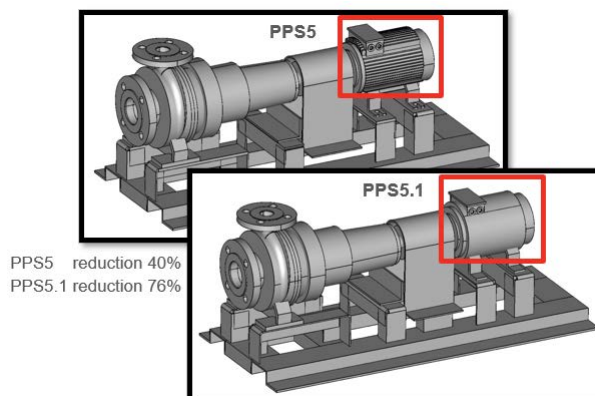
CADfix PPS 5.1 delivers broader interoperability with new and improved import/export options, enabling seamless data exchange between major CAD systems and industry-standard formats.

New interfaces are released for:

- Revit (.rvt, .rfa) import and export with BREP and facet support
- Navisworks (.nwd, .nwc) facet import with assembly support
- SmartPlant 3D export via ACIS, STEP, IFC, DWG, and DGN
- MicroStation (.dgn) new export interface and updated import
- New IFC export interface and import now includes both BREP and facet entity support

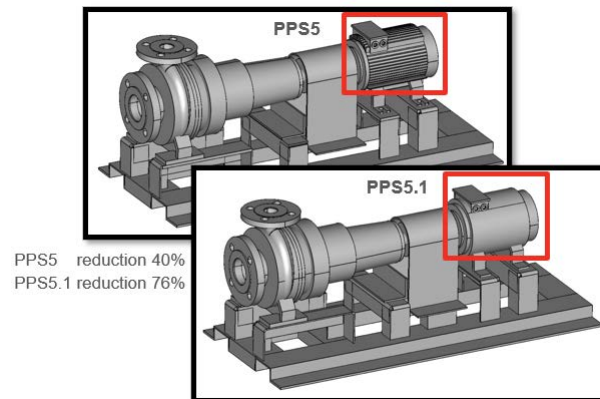
CAD version and neutral format support is updated with interfaces for:

- Catia V5-6 R2024, NX 2406, Inventor 2025, Solid Edge 2024, SolidWorks 2025
- ACIS R2024 1.0, Parasolid 37



### Enhanced Auto-Simplification Tools

CADfix PPS 5.1 improves the automation of model simplification to further optimize CAD models for downstream applications. There are improvements in the handling of complex body partitioning, hole and protrusion removal, that enable even greater levels of model simplification. Better handling of connectors such as flanges, blanks, and nozzles helps ensure that essential design features and connection points are maintained.



### User Interface Enhancements

New usability features in CADfix PPS 5.1 provide greater control and efficiency. The hidden entity display controls have been updated to allow users to manage visibility within the GUI more effectively, and the Model Tree has been expanded with enhancements to allow cylinder and revolve simplification via a simple right-mouse-button click.

*“With CADfix PPS 5.1, we continue to push the boundaries of CAD interoperability and model simplification and file size reduction,”* said Mark Gammon, Technical Director and Product Manager at ITI. *“The new import/export capabilities and advanced simplification tools empower engineers with greater efficiency and accuracy when preparing complex CAD models for downstream applications. We’re excited about the improvements in this release and look forward to seeing the impact it will have across industries.”*

With these updates, [CADfix PPS 5.1](#) continues to lead the industry in CAD model preparation, helping engineers and designers accelerate workflows, improve data fidelity, and maximize efficiency in multi-CAD environments.

For more information about CADfix PPS 5.1, [visit ITI’s website](#) or contact ITI’s technical team.

### About ITI, a Wipro Company

International TechneGroup, Inc. (ITI) specializes in conversion, integration, validation and migration solutions for product data and related systems. Our customers recognize the value of having a trusted solution partner that provides more than just software. ITI solves complex product data interoperability problems so that the world’s leading manufacturers can focus on making great products. In 2019, ITI became a wholly owned subsidiary of Wipro Limited and now operates within the Wipro Engineering business that provides customers with a platform to innovate and engineer the next generation of products and platforms at scale.