



CADfix PPS 5.1

“What’s new”

Chris Fellows

CADfix Product Manager

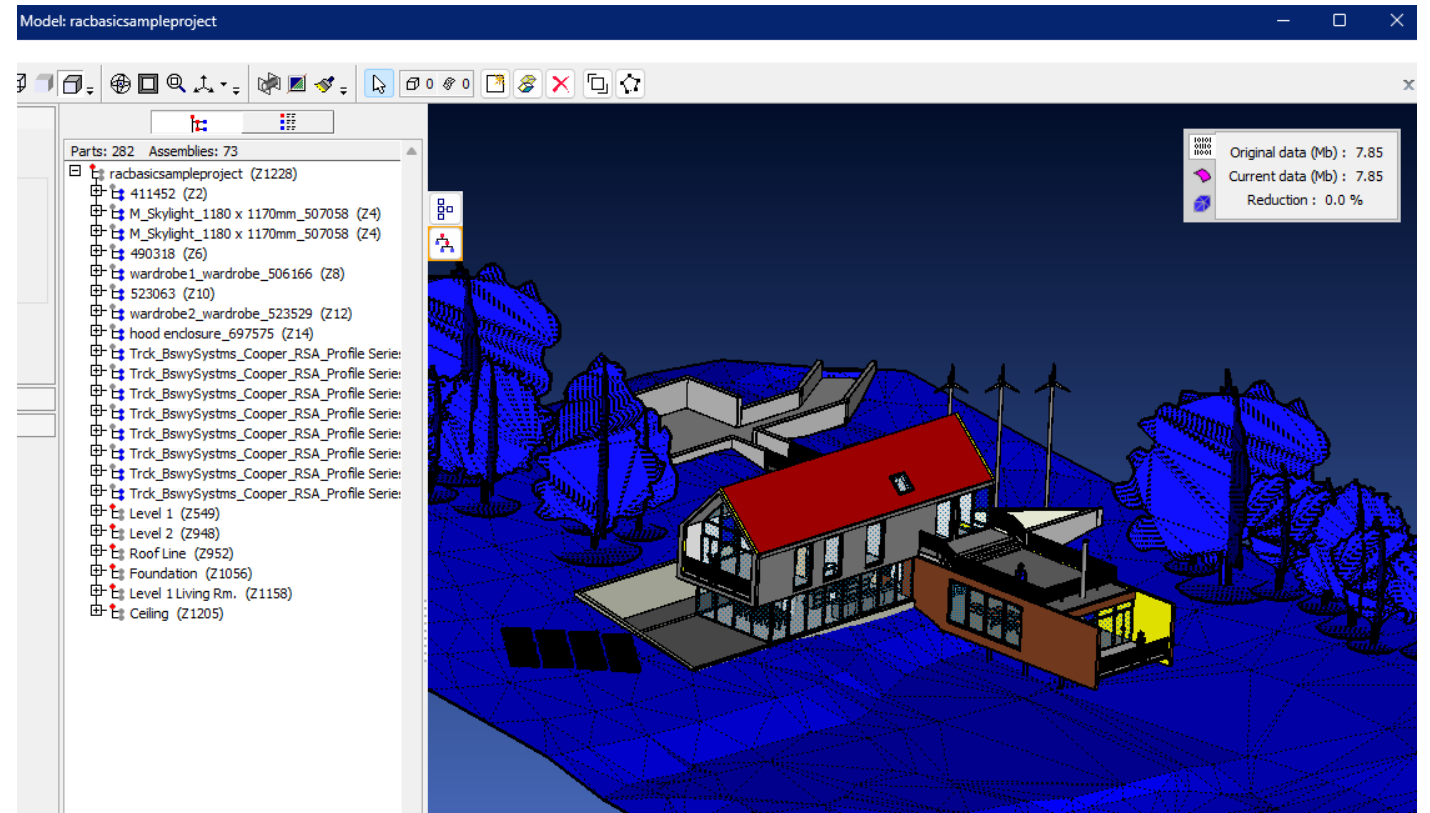
March 2025

CADfix PPS 5.1 Summary

- Import/Export
 - Latest CAD versions
 - New Revit import / export
 - New NavisWorks Import
 - New Smart Plant 3D export
 - New MicroStation export
 - New IFC export
 - Improved IFC import
- Auto-simplification
 - Improved connector retention
 - Improved small feature simplification
- Model tree
 - Cylinder and Revolve tools available under Simplify right click menu
- GUI
 - New Hidden entity display controls

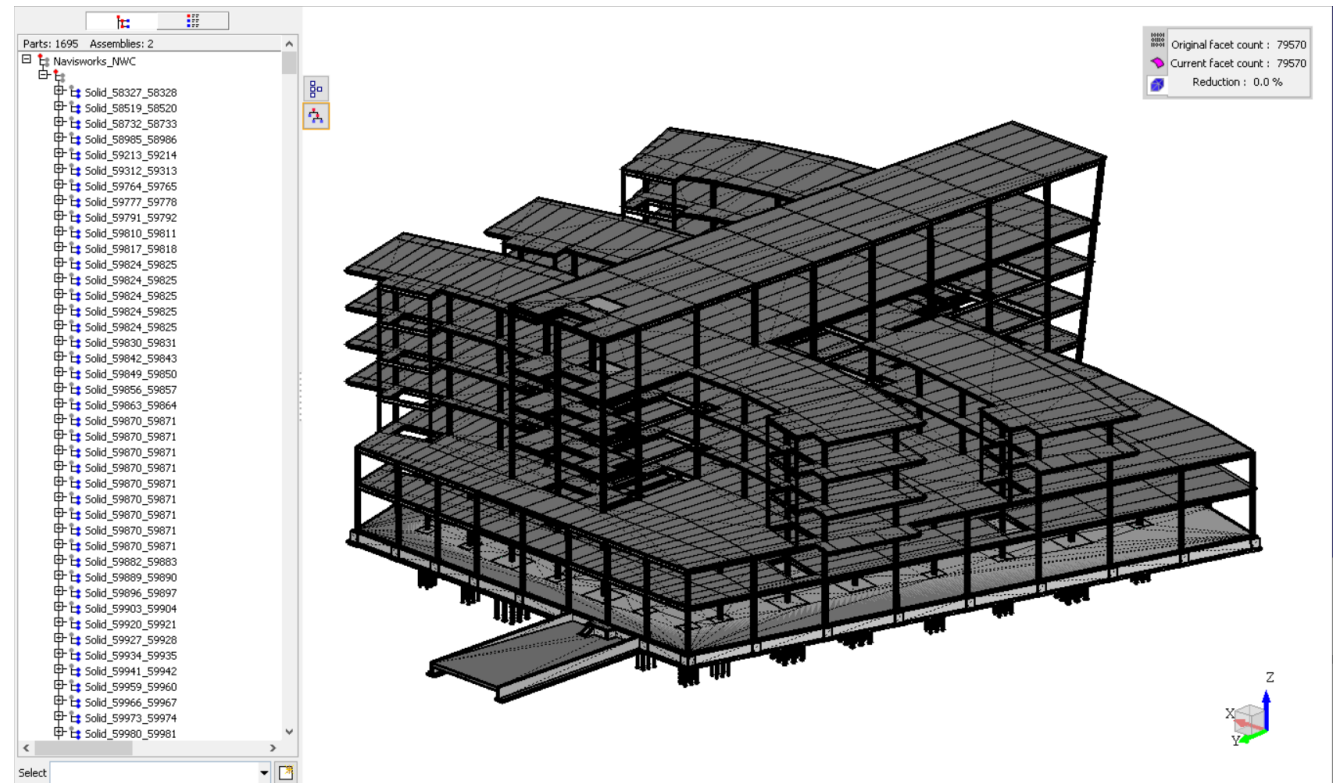
PPS5.1: Revit import / export

- Import
 - BREP and Facet import supported
 - Assemblies supported
 - .rvt, .rfa
- Export
 - Facet export supported
 - Assemblies supported
 - .rfa



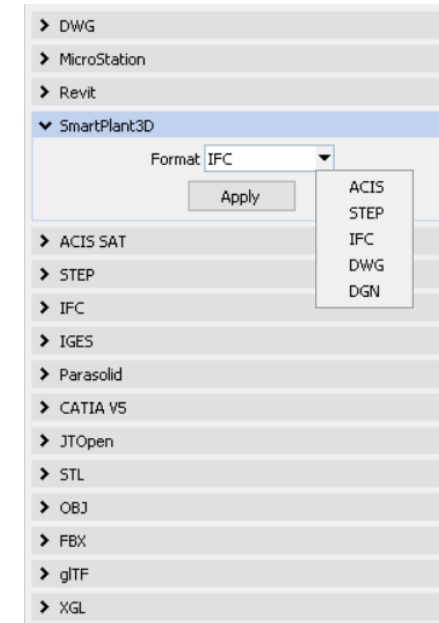
PPS5.1: Navisworks import

- Import
 - Facet import supported
 - Assemblies supported
 - .nwd, .nwc



PPS5.1: SmartPlant 3D export

- Export
 - New specialised SmartPlant 3D export target
 - BREP export supported
 - Assemblies supported
 - ACIS, STEP, IFC, DWG, DGN



PPS5.1: MicroStation export

- Export
 - BREP and Facet export supported
 - Assemblies supported
 - .dgn
- Import
 - Existing .dgn import benefits from various bug fixes

PPS5.1: IFC import / export

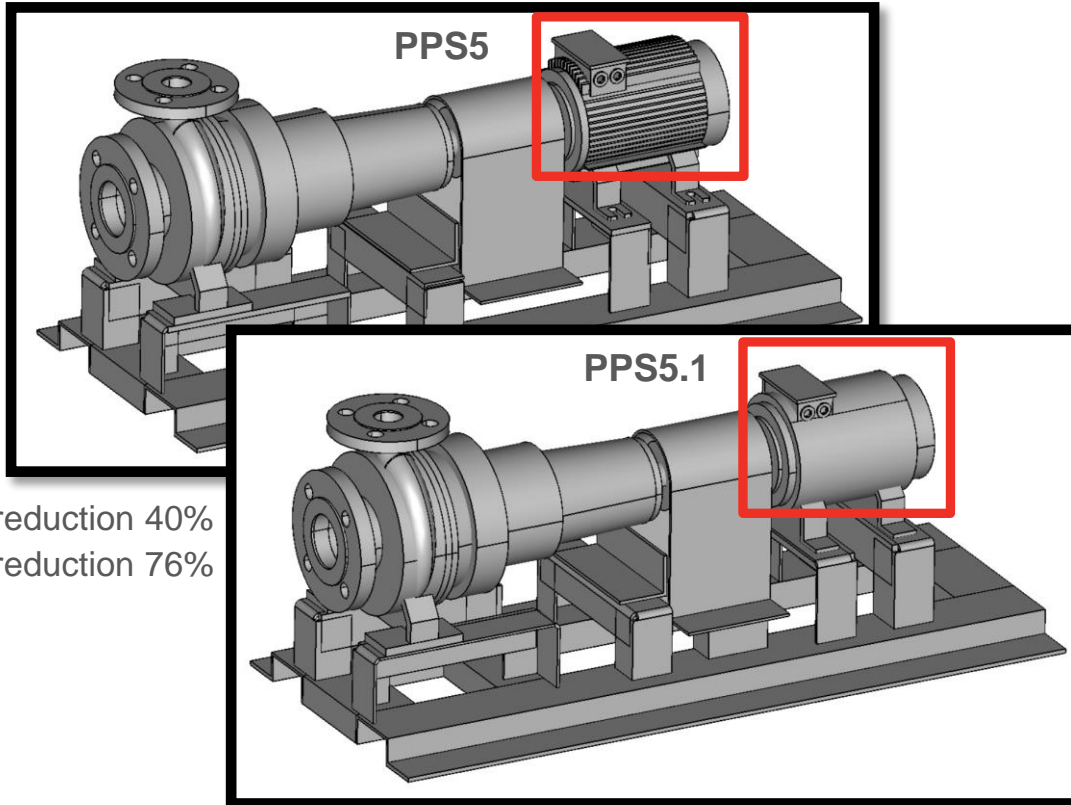
- Import
 - Added BREP import supported
 - Facet import already supported
 - Assemblies supported
 - .ifc
- Export
 - BREP export supported
 - Assemblies supported
 - .ifc

Import/Export: Updated versions

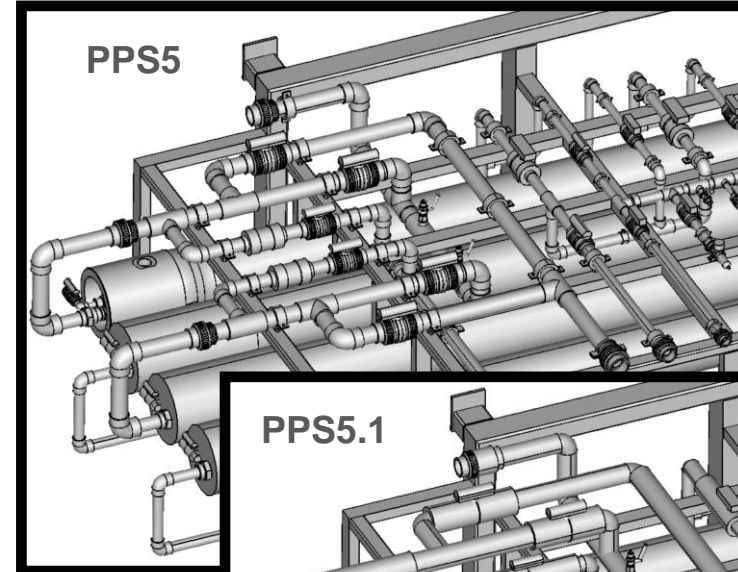
- CAD system:
 - Catia V5-6 R2024
 - NX 2406
 - Inventor 2025
 - SolidEdge 2024
 - SolidWorks 2025
- Neutral formats
 - ACIS R2024 1.0
 - Parasolid 37

PPS5.1 Auto-simplification: Connectors

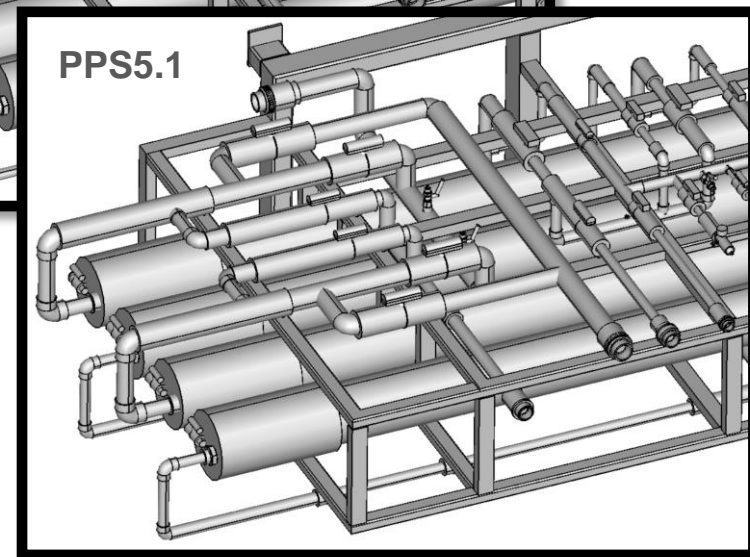
Improved connector retention - better simplification of bodies that contain flanges, blanks, and nozzles.



PPS5 reduction 40%
PPS5.1 reduction 76%

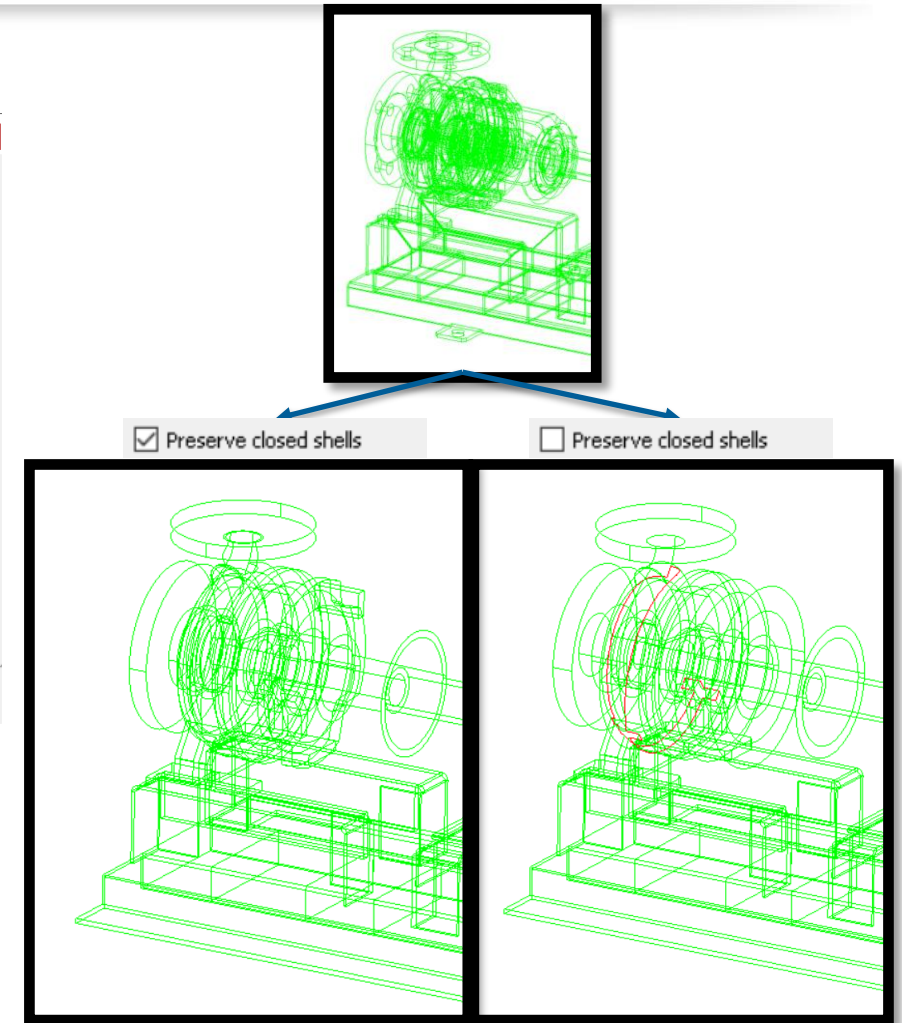
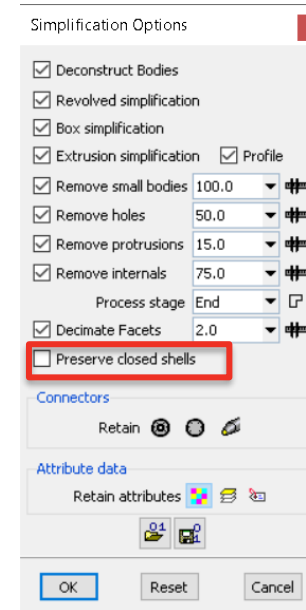


PPS5 reduction 41%
PPS5.1 reduction 84%



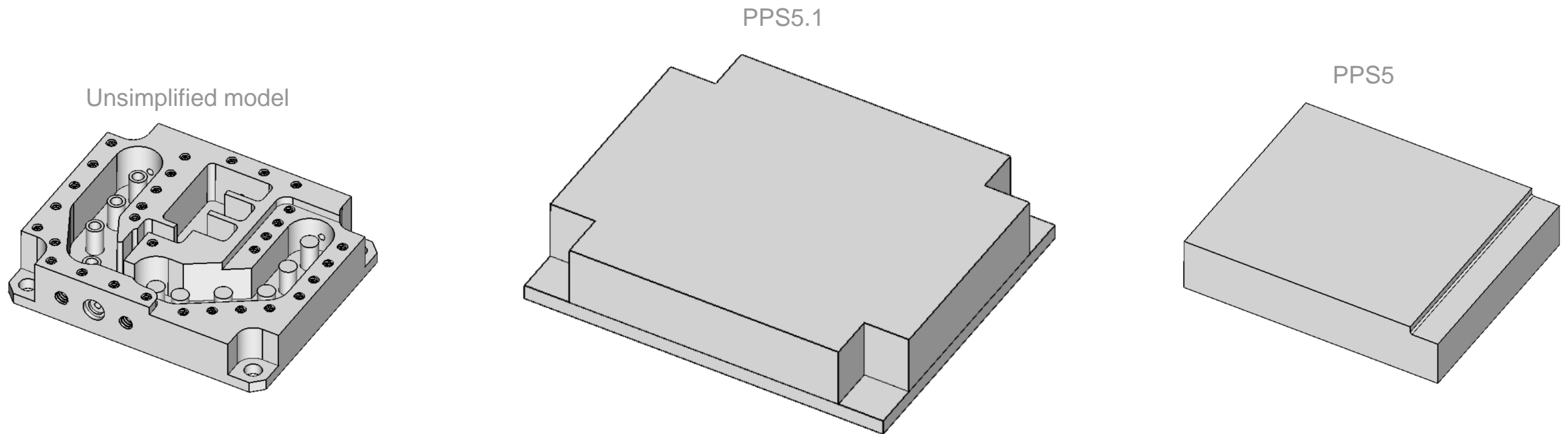
PPS5.1 Auto-simplification: Preserve closed shells

- New option to require closed shell models as outputs from auto-simplification
- Overall level of simplification reduced slightly to avoid creating open shells
- Shells that were not closed when the model was imported are unaffected
- Default is OFF



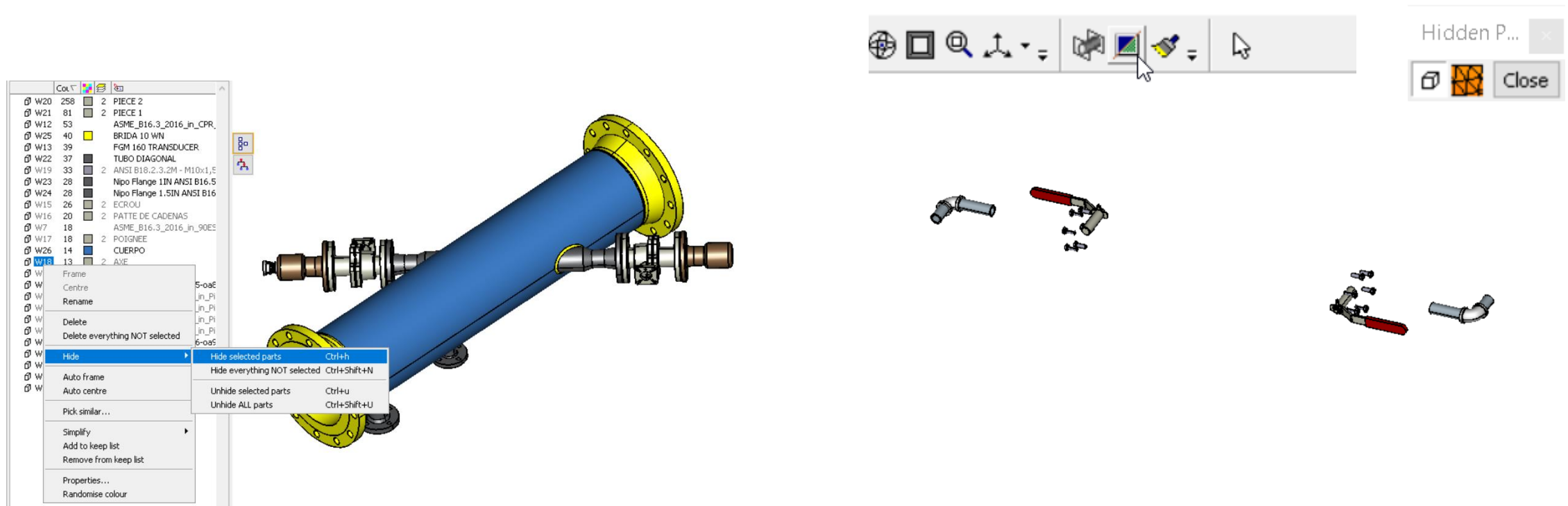
PPS5.1 Auto-simplification: simplification

- Improved simplification on complex bodies
- Also applies to deconstruct bodies, hole, and protrusion removal.



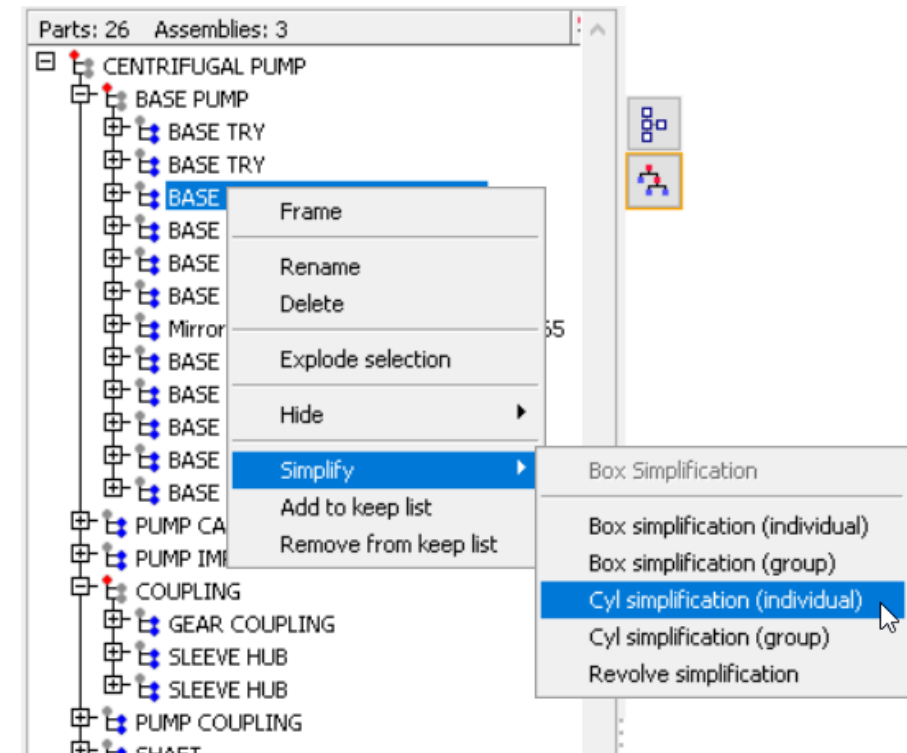
PPS5.1 GUI: Hidden viewspace display

- New tool to display entities marked as hidden



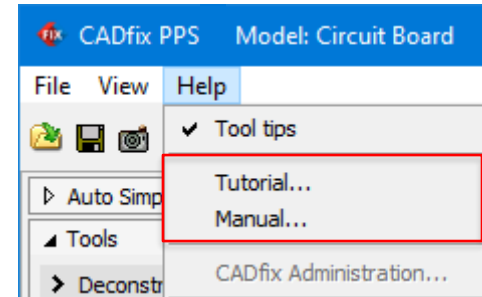
PPS5.1 GUI: New model tree simplify options

- Cylinder and revolve simplification now available under Simplify in model tree right click menu.
- Available for assembly and non-assembly models



Documentation

- Help on PPS5.1 tools:
 - Help → Manual...
- PPS5 specific self-training:
 - Help → Tutorial...
- Installation and release information:
 - ITI-Global.com/cadfix-support
- Other training, advice, and queries
 - Americas: works_supp@iti-global.com
 - Europe, Asia-Pacific, Middle East, Africa: eusupport@iti-global.com





Thank you!

Visit us at www.iti-global.com

