

ITI NEWS – FOR IMMEDIATE RELEASE

ITI Unveils CADfix DX 13 with Enhanced Features for Streamlined Design and Engineering Processes

Milford OH, July 20, 2023 - [International TechneGroup Incorporated](https://www.iti-global.com) (ITI), a global leader in advanced engineering software solutions, is proud to announce the highly anticipated release of CADfix Data Exchange (DX) 13, the latest iteration of its cutting-edge geometry translation, repair, healing and simplification software. This release introduces a range of powerful new features and enhancements, empowering engineers and designers with advanced capabilities to enable seamless design data reuse and enhanced collaboration.

CADfix DX 13 comes equipped with several significant updates, further solidifying ITI's commitment to delivering innovative solutions that address the evolving needs of the engineering community.

Key new features of CADfix DX 13 include:

- Significant enhancements to the advanced model defeaturing tools for the removal of holes, protrusions, lettering and logos, extrusions, and internal detail
- Major update to the STL export for improved mesh export quality and speed
- New high-quality CAE mesh export capability with tri, quad, and tet mesh exports
- Geometry morphing extensions to support virtual topology mesh
- Roll-up of multiple enhancements from CADfix 12 service pack 1 and 2
- CAD import and export interface updates

Simplifying and defeaturing complex CAD models for downstream simulation is now even easier than ever with the new and improved defeaturing tools in CADfix DX 13. The hole, protrusion, and internal detail removal features are all faster and handle more complex and special cases. Lettering and logos are a frequent source of excess data in CAD models that is not required for simulation and a new tool identifies raised, sunken and flat lettering or logos and automatically removes them. Extruded sections can be automatically identified and simplified, and complex solids converted to basic primitives if required. These innovative tools intelligently analyze and remove unnecessary details, simplifying complex geometries without compromising critical design features. The result is a streamlined design process, reduced file sizes, and improved performance in downstream applications.

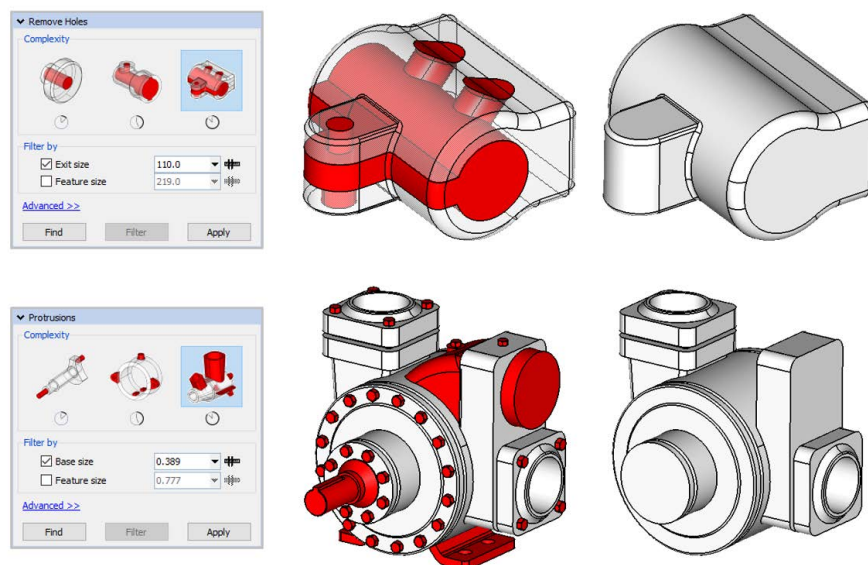


Image 1: CADfix 13 Defeating Tools

With CADfix DX 13, users can now benefit from enhanced meshing and STL export capabilities, ensuring efficient and reliable translation of complex CAD models into STL and other mesh formats for use in simulation, additive manufacturing, visualization, and rapid prototyping applications. Users will see improved facet quality, regular structured mesh styles, automatic defeaturing to collapse poor quality thin slivers, and intelligent facet sizing with proximity refinement and new custom sizing recipes.

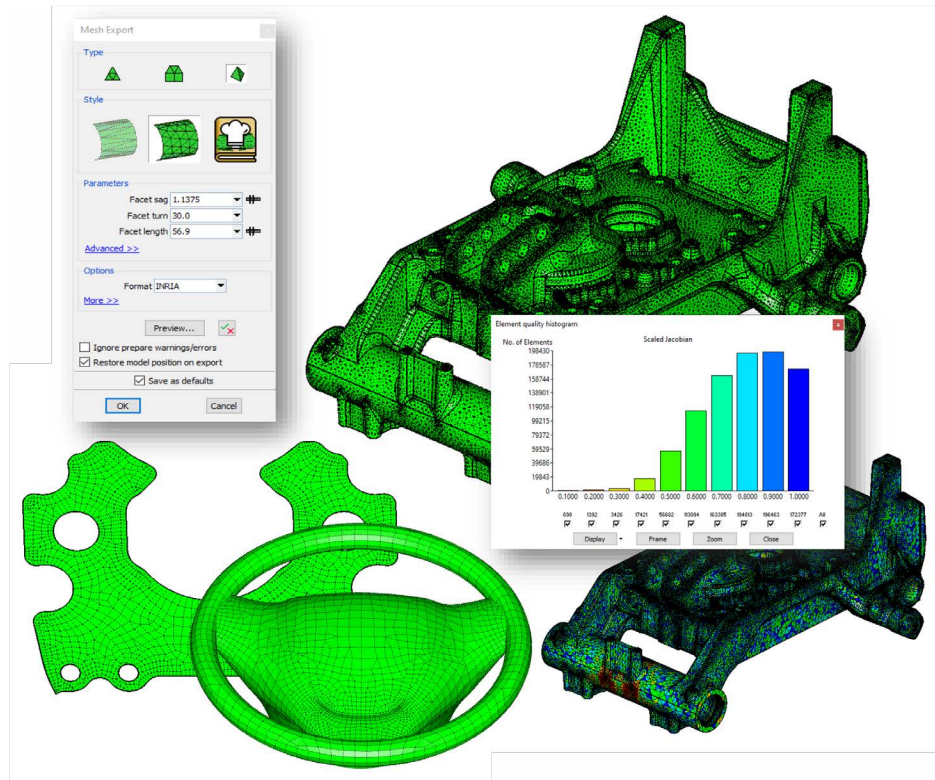


Image 2: New high-quality CAE mesh export capability

This release introduces a new CAE mesh export feature that incorporates robust automatic Tri/Quad/Tet meshing algorithms, with smart geometry-based mesh sizing, automatic proximity refinement, and element quality assessment. These advanced meshing capabilities optimize the transfer of CAD data to various simulation and analysis tools, streamlining the CAE workflow and facilitating accurate engineering simulations.

As with every new CADfix release, the CAD import and export interfaces are updated, in this case with new and extended interfaces for SolidEdge, IFC, DGN, OBJ, and glTF import, and VRML, XDMF and CONVERGE CFD export, plus updates to support the latest native CAD system formats.

"We are thrilled to introduce CADfix DX 13 to the engineering community," said Andy Chinn, Managing Director, ITI Europe. "This release showcases our unwavering commitment to providing engineers and designers with powerful tools that streamline their engineering processes. With improved STL export capabilities, advanced CAE meshing, and intuitive defeaturing tools, CADfix DX 13 empowers users to optimize their geometry models and achieve outstanding results."

CADfix DX 13 is compatible with leading CAD systems and supports a wide range of file formats, making it a versatile solution for engineers working with diverse software applications. With its user-friendly interface and powerful functionality, CADfix DX 13 allows for efficient collaboration and seamless data exchange across diverse 3D applications within the product development lifecycle.



Contact: Justin Falkenstein
ITI, a Wipro company
Phone: 1-888-783-9199
Email: justin.falkenstein@iti-global.com

5303 DuPont Circle
Milford, OH 45150
www.iti-global.com

About ITI, a Wipro company

International TechneGroup, Inc. (ITI) is a global leader in advanced engineering software solutions. With over 35 years of industry experience, ITI provides innovative tools and services that empower engineers and designers to optimize their product development processes. ITI's flagship product, CADfix, is recognized worldwide for its unmatched capabilities in CAD model translation, repair, and simplification. ITI serves a broad range of industries, including aerospace, automotive, defense, energy, and more.

www.iti-global.com

About Wipro Limited

Wipro Limited (NYSE: WIT, BSE: 507685, NSE: WIPRO) is a leading global information technology, consulting, and business process services company. We harness the power of cognitive computing, hyper-automation, robotics, cloud, analytics, and emerging technologies to help our clients adapt to the digital world and make them successful. A company recognized globally for its comprehensive portfolio of services, strong commitment to sustainability and good corporate citizenship, we have over 170,000 dedicated employees serving clients across six continents. Together, we discover ideas and connect the dots to build a better and a bold new future.

www.wipro.com