
ITI NEWS – FOR IMMEDIATE RELEASE

International TechneGroup, Inc. Unveils CADfix PPS 5: The Smarter and Faster Solution for Plant and Process Model Simplification

Milford OH, June 17, 2024 - [International TechneGroup Incorporated](http://www.iti-global.com) (ITI), International TechneGroup, Inc. (ITI), a global leader in CAD model simplification and data translation solutions, proudly announces the release of CADfix PPS 5. This latest version of our flagship product introduces a suite of groundbreaking features and performance enhancements, solidifying [CADfix PPS](http://www.iti-global.com) as the premier solution for plant and process model simplification.

CADfix PPS 5 brings unprecedented efficiency and precision to the simplification of complex equipment models. Key features include:

- Revolve simplification - reduces complex parts to simplified revolved solids
- Extrude simplification - converts complex parts to extruded sections and removes details
- Thread simplification - automates the simplification of threaded components to basic solids
- Optimized floor grill simplification - reduces complex floor grills and gratings to basic solids
- Centerline network identification - automatic detection and preservation of centerline networks, ensuring the integrity of flow paths and pipe networks in simplified models
- Preservation of connectors and nozzles - intelligent algorithms ensure that essential external connectors are maintained.

The new simplification tools in CADfix PPS 5 deliver outstanding reductions in model complexity and resulting file size. The enhanced simplification techniques mean that even the most detailed solid models can now be simplified effectively. Thanks to new tools such as the intelligent revolve and extrude simplification, users can achieve significantly higher face count reductions, leading to greater file size reductions, which improve manageability and performance in downstream applications.

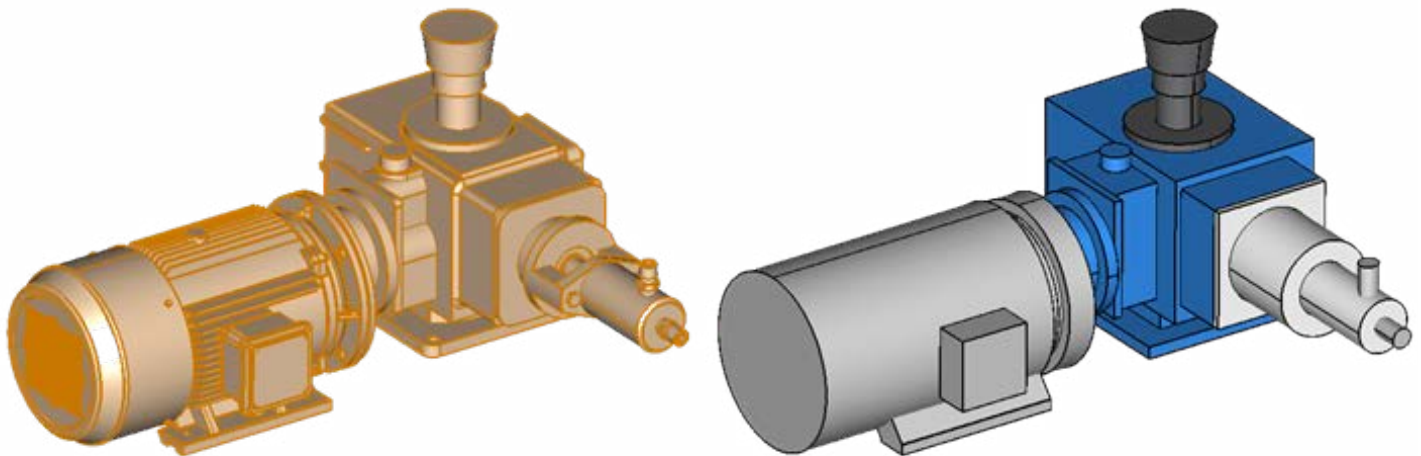


Figure 1: New Revolved Part Simplification in CADfix PPS 5.

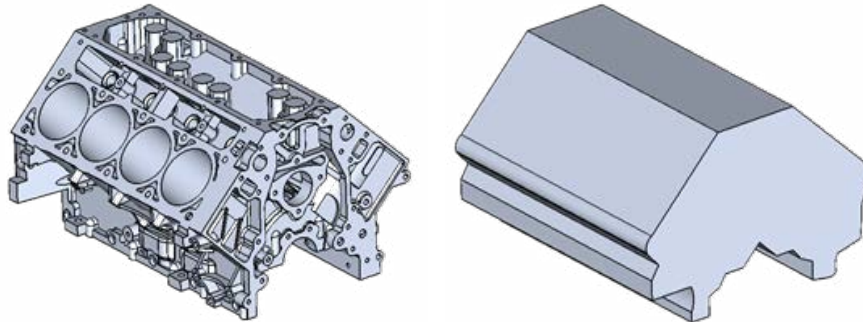


Figure 2: New Extrude Simplification in CADfix PPS 5.

Not only is CADfix PPS 5 achieving greater levels of model simplification, but it sets new benchmarks for processing speed and efficiency. The new release sees dramatic speed increases, with an average speed-up of three to five times over previous simplification times, and in some cases even higher performance gains. On average, the processing times have been slashed by 65% to 90%, allowing engineers to complete projects faster and more efficiently.

User experience and model analysis is enhanced in CADfix PPS 5 with the introduction of powerful new tools. The new Before/After comparison tool allows users to overlay and toggle between original and simplified model views, making it easier to assess the impact of simplification. A new small body size histogram utility provides a comprehensive assessment of body sizes within large models, enabling the selection of optimal values for auto-simplification.

Andy Chinn, Director at ITI, expressed his excitement, saying, *“We are thrilled to launch CADfix PPS 5, a new product release that takes another massive step forward in large CAD model simplification. The incredible speed increases, significant size reductions, and innovative new tools will empower our customers to streamline their workflows and achieve unprecedented efficiency. This release marks a major milestone for ITI, and we are excited to see the transformative impact it will have on the industry.”*

About ITI, a Wipro company

ITI is the global leader providing reliable interoperability, validation, and migration solutions for product data and related systems. ITI solves complex product data interoperability problems so the world's leading manufacturers can focus on making great products. ITI is a wholly owned US-based subsidiary of Wipro, Ltd, and exists within the Wipro Engineering business. Wipro Engineering provides customers with a platform to innovate and engineer the next generation of products and platforms at scale.

www.iti-global.com

About Wipro Limited

Wipro Limited (NYSE: WIT, BSE: 507685, NSE: WIPRO) is a leading global information technology, consulting, and business process services company. We harness the power of cognitive computing, hyper-automation, robotics, cloud, analytics, and emerging technologies to help our clients adapt to the digital world and make them successful. A company recognized globally for its comprehensive portfolio of services, strong commitment to sustainability and good corporate citizenship, we have over 170,000 dedicated employees serving clients across six continents. Together, we discover ideas and connect the dots to build a better and a bold new future.

www.wipro.com