

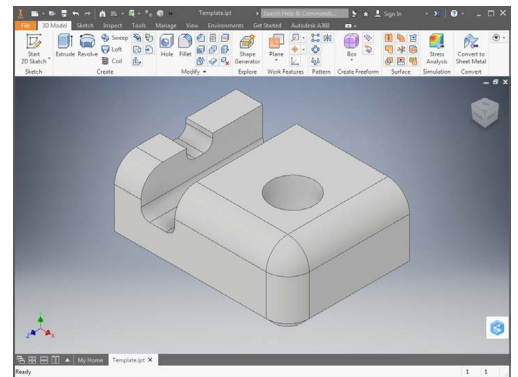
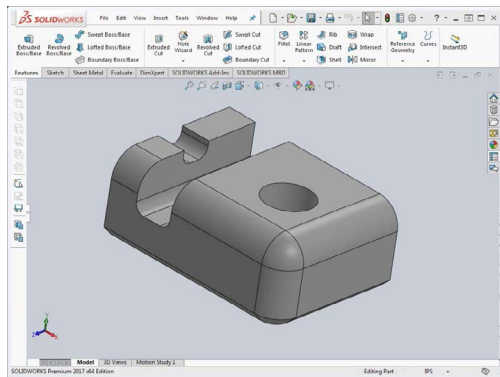


Automating the Intelligent Migration of Data to INVENTOR

GoToINVENTOR offers feature-based translation that enables the transfer of complete design intelligence between major CAD systems and INVENTOR with up to 100% automation and enhanced efficiency.

Maximize CAD data re-use

By providing fully functional models that retain the original product knowledge in INVENTOR, GoToINVENTOR maximizes CAD data re-use and offers a reliable basis for further product design and development. GoToINVENTOR can also convert associative drawings along with the linked 3D models in one automated procedure.



Native

- CATIA V5
- Creo
- NX
- Solid Edge
- SOLIDWORKS

Platforms

- Windows 7 & 10

“At Autodesk interoperability and openness is the heart of our DNA. Together with ITI’s extensive know-how, solutions and proven track record, we can offer interoperability that transfers customer assets at an even higher level of data intelligence, in an automated way. This frees up engineering capacity toward new projects, offers better reuse of existing modularization assets, and accelerates corporate harmonization initiatives.”

- Karl Osti, Autodesk

With GoToINVENTOR, design teams can easily understand issues related to modeling practices. GoToINVENTOR also offers source data auditing and automated conversion reporting, including feature validation and transaction records.

GoToINVENTOR Features:

- Automatic featured-based conversion of:
 - Design history
 - Parameters
 - Geometry
 - Sketches
 - Constraints
 - Manufacturing information
 - Metadata
- 3D assembly and model support
- 2D associative drawing support
- Legacy CAD data auditor
- PLM integration support
- Conversion validation technology
- Advanced reporting and Q/A

About ITI, a Wipro company

ITI is the global leader providing reliable interoperability, validation, and migration solutions for product data and related systems. ITI solves complex product data interoperability problems so the world’s leading manufacturers can focus on making great products. ITI is a wholly owned US-based subsidiary of Wipro, Ltd, and exists within the Wipro Engineering business. Wipro Engineering provides customers with a platform to innovate and engineer the next generation of products and platforms at scale.